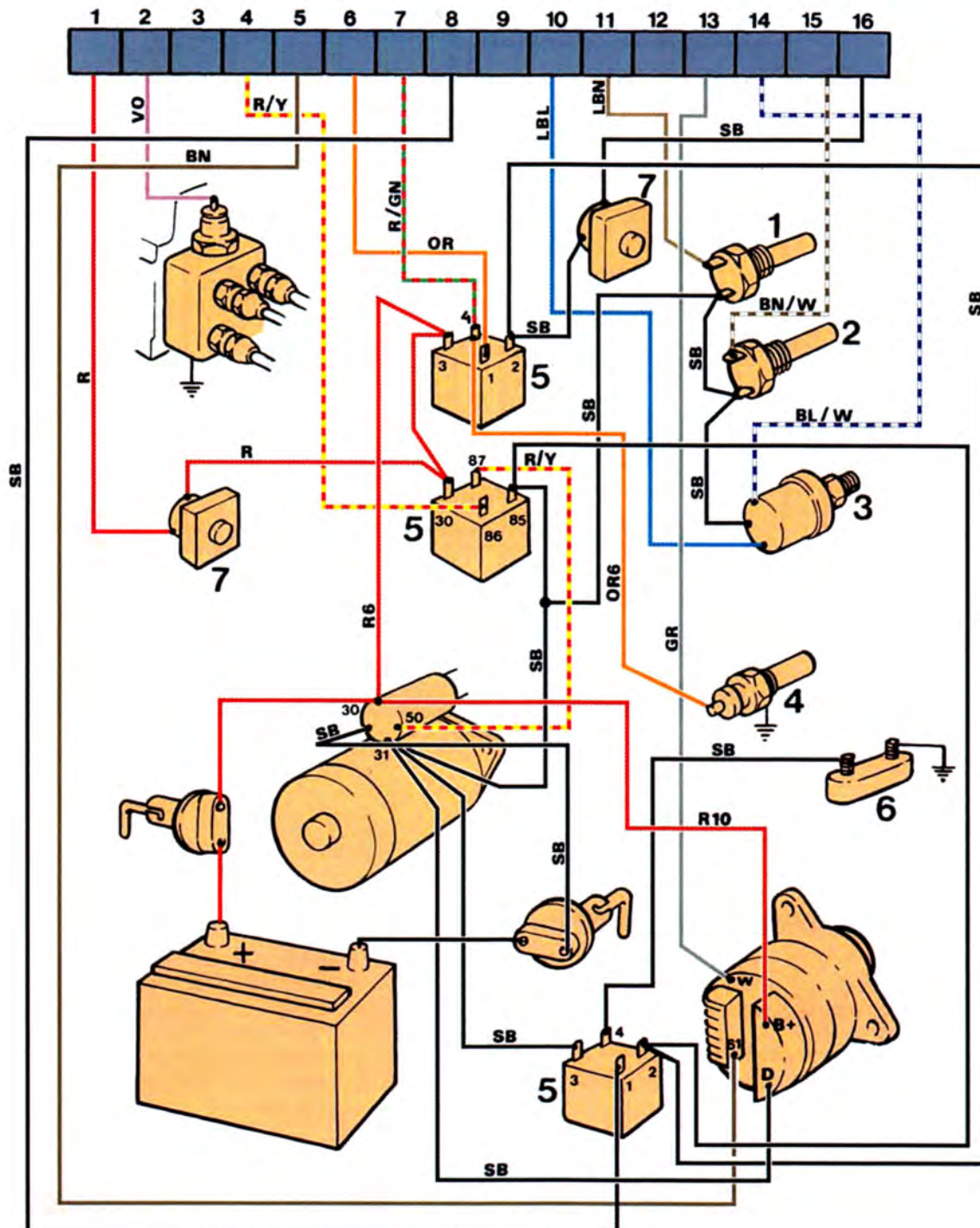


Wiring diagrams



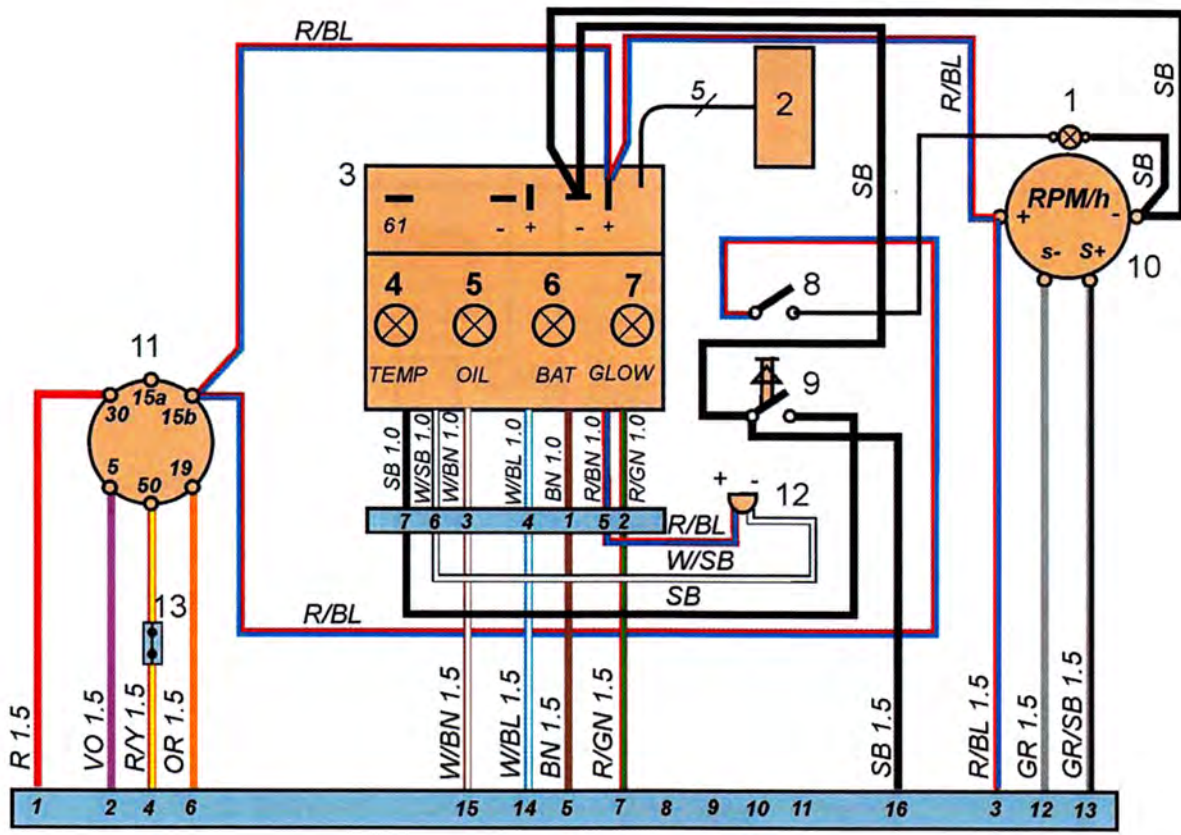
Engine MD22, TMD22, TAMD22

1. Coolant temperature sensor
2. Coolant temperature monitor
3. Oil pressure sensor/monitor
4. Glowplug
5. Relay
6. Residual current breaker 55A
7. Automatic circuit breaker

Wire color

BL = Blue	P = Pink
LBL = Light blue	R = Red
BN = Brown	SB = Black
LBN = Light brown	VO = Violet
GN = Green	W = White
GR = Gray	Y = Yellow
OR = Orange	PU = Purple

Cross-section not given = 1.5 mm<sup>2</sup>



14

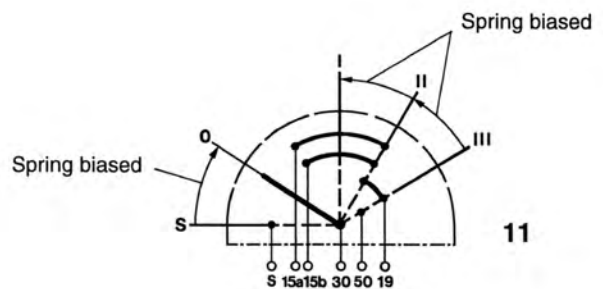
**Instrument panel, "Standard"**

1. Instrument lighting
2. Connection for extra warning display
3. Electronic unit (alarm)
4. Warning lamp, coolant temperature
5. Warning lamp, oil pressure
6. Warning lamp, charging
7. Check lamp, preheating
8. Switch, instrument lighting
9. Switch, alarm test
10. Tachometer
11. Key switch
12. Alarm buzzer
13. Connection for neutral position switch
14. Connector CPC 16-pin

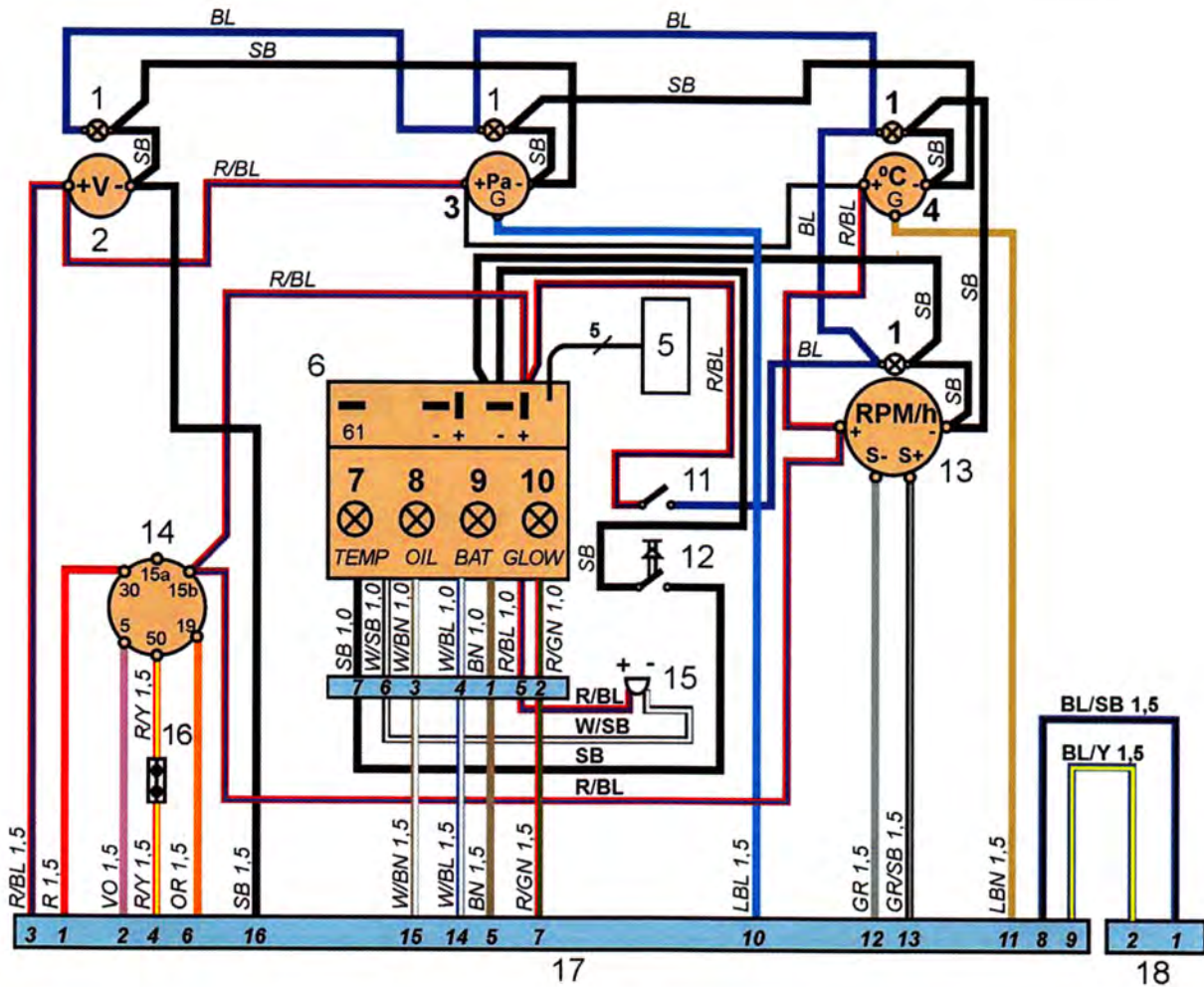
**Wire color**

BL = Blue	P = Pink
LBL = Light blue	R = Red
BN = Brown	SB = Black
LBN = Light brown	VO = Violet
GN = Green	W = White
GR = Gray	Y = Yellow
OR = Orange	PU = Purple

Cross-section not given = 1.5 mm<sup>2</sup>







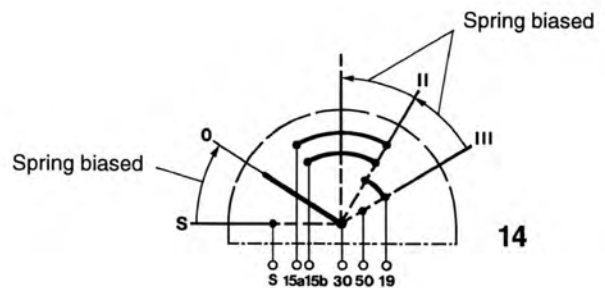
**Instrument panel, "De Luxe"**

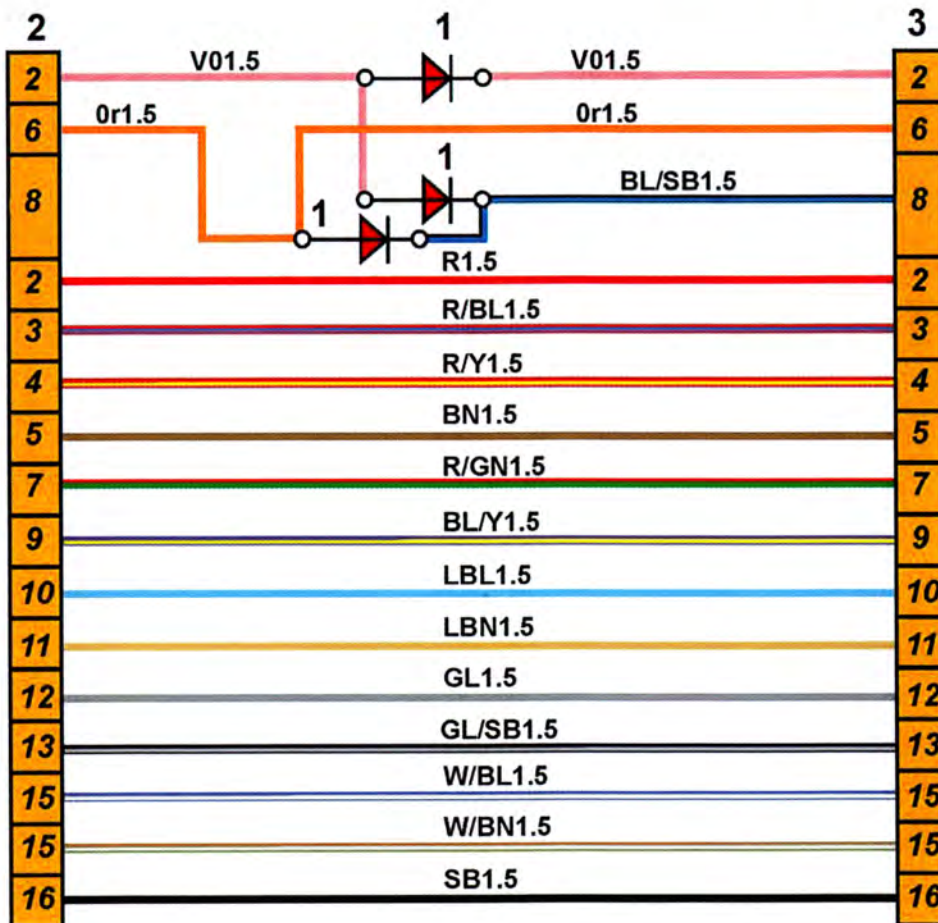
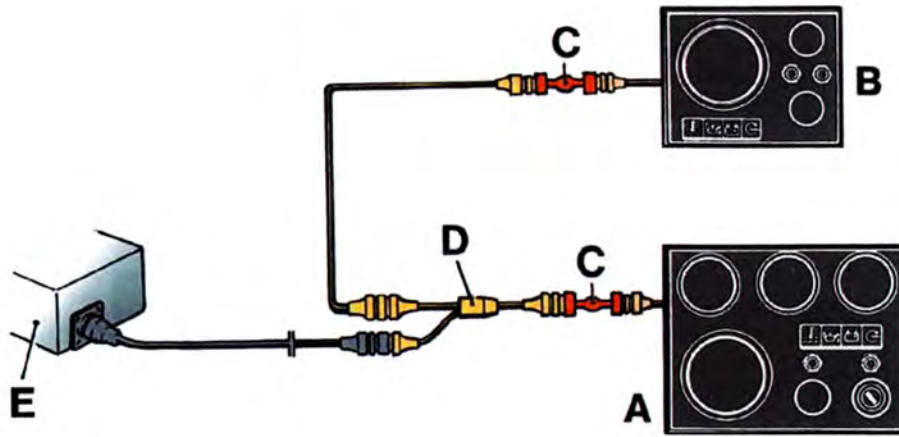
1. Instrument lighting
2. Voltmeter
3. Oil pressure gauge
4. Coolant temperature gauge
5. Connection for extra warning display
6. Electronic unit (alarm)
7. Warning lamp, coolant temperature
8. Warning lamp, oil pressure
9. Warning lamp, charging
10. Check lamp, preheating
11. Switch, instrument lighting
12. Switch, alarm test
13. Tachometer
14. Key switch
15. Alarm buzzer
16. Connection for neutral position switch
17. Connector CPC 16-pin
18. Connector for additional panel 2-pole

**Wire color**

- |                   |             |
|-------------------|-------------|
| BL = Blue         | P = Pink    |
| LBL = Light blue  | R = Red     |
| BN = Brown        | SB = Black  |
| LBN = Light brown | VO = Violet |
| GN = Green        | W = White   |
| GR = Gray         | Y = Yellow  |
| OR = Orange       | PU = Purple |

Cross-section not given = 1.5 mm<sup>2</sup>





### Diode kit, instrument panel

#### Principle diagram – Connecting diode kit

- A. Main panel
- B. Panel for alternative helm
- C. Diode kit
- D. Y connector
- E. Electrical distribution box (engine)

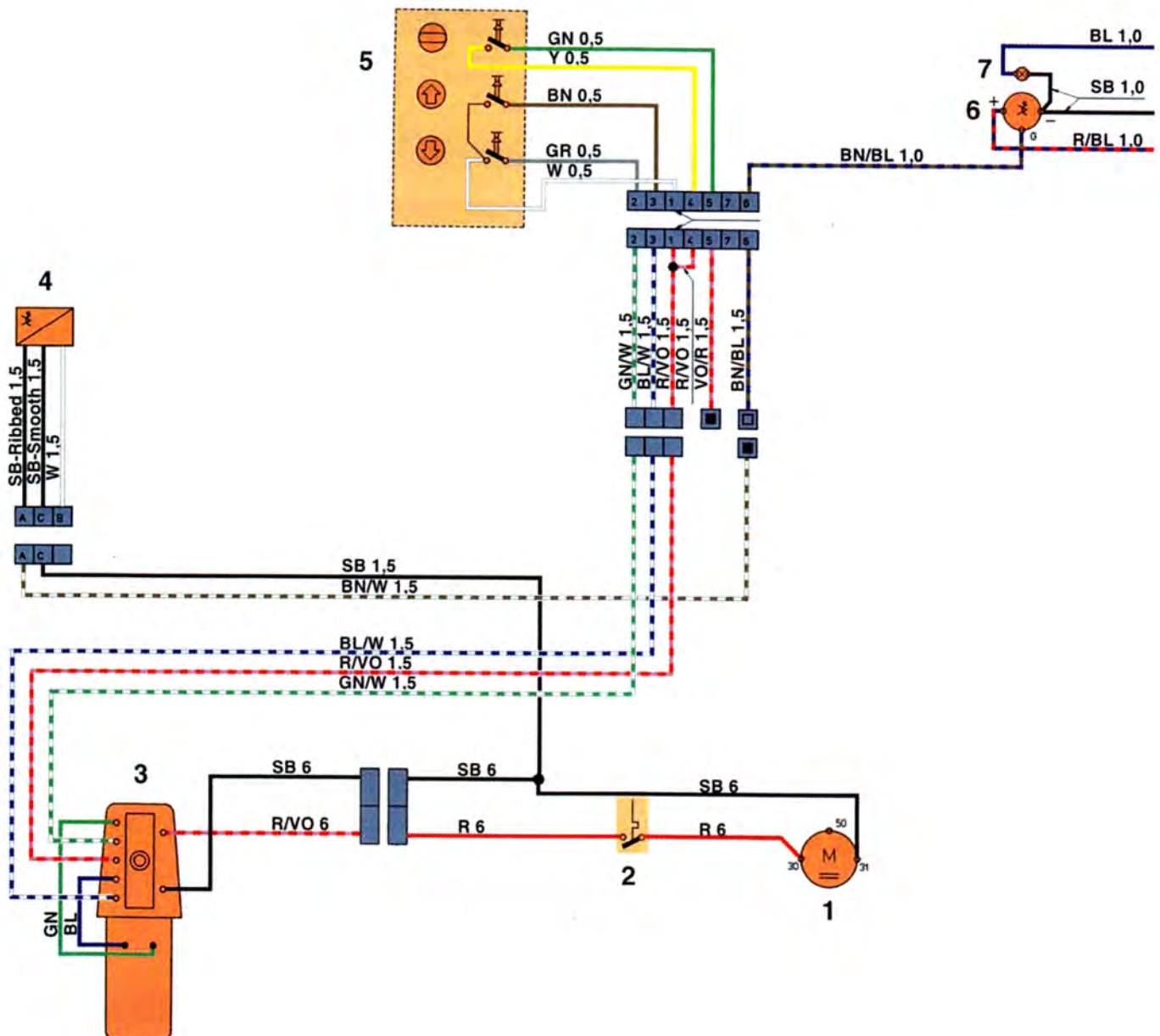
#### Wire color

BL = Blue	P = Pink
LBL = Light blue	R = Red
BN = Brown	SB = Black
LBN = Light brown	VO = Violet
GN = Green	W = White
GR = Gray	Y = Yellow
OR = Orange	PU = Purple

#### Diode kit (C)

1. Diode
2. Connector CPC 16-pole (for instrument panel)
3. Connector CPC 16-pole (for engine)

Cross-section not given = 1.5 mm<sup>2</sup>



### Power Trim, SX

1. Starter motor
2. Fuse 50A
3. Hydraulic pump
4. Trim sensor
5. Control panel
6. Trim instrument
7. Filament lamp
8. Connected to instrument lighting (+) on engine's instrument panel
9. Connected to (-) on electronic unit on engine's instrument panel
10. Connected to (+) on electronic unit on engine's instrument panel

### Wire color

BL = Blue	P = Pink
LBL = Light blue	R = Red
BN = Brown	SB = Black
LBN = Light brown	VO = Violet
GN = Green	W = White
GR = Gray	Y = Yellow
OR = Orange	PU = Purple

Cross-section not given = 1.5 mm<sup>2</sup>